

## Petri Dish

(#10035/10050/10060/10061/10090/10091/10092/10192/10292/10093/10095/10096/10100/10101/10150/10151)

### 1. Applications

SPL Life Sciences provides a large range (35mm to 150 mm) of Petri dishes for various laboratory purposes. All of the Petri Dishes are made from high quality polystyrene.

### 2. Features

- ❖ Crystal grade polystyrene
- ❖ Divided area for handling 2 types of microbes, with height partitions of 2.7 mm, 3.7 mm, 7mm (Cat. No. 10092, 10192, 10292)
- ❖ External grip for handling (Cat. No. 10035, 10050, 10060, 10101)
- ❖ Double packaging of 10090 (Cat. No. 10093)
- ❖ Gridded bottom count dish (Cat. No. 10095, 10061)
- ❖ Quadrant dish (Cat. No. 10096)

### 3. Functional Test

Sterility	:	Passed
Cytotoxicity	:	Passed
Non-Pyrogenic	:	Passed
RNase/DNase free	:	Passed

### 4. Product Range

Cat.No.	Material	Dish Style (mm)	Internal Dimension (mm)	Growth Area (cm <sup>2</sup> )	External Grip	Units per Sleeve/Case
10035	PS	35 x 10	34.3 x 9.3	9.4	+	20 / 500
10050	PS	50 x 15 (Non Airvent)	50.0 x 12.0	19.6	+	20 / 500
10060	PS	60 x 15	52.7 x 12.6	21.5	+	20 / 500
10061	PS	60 x 15 (RODAC Plate)	52.7 x 12.6	21.5	-	20 / 500
10090	PS	90 x 15	85.6 x 12.6	57.5	-	10 / 500
10091	PS	90 x 20	86.2 x 17.6	58.0	-	10 / 200
10092	PS	90 x 15 (BI Plate)	85.6 x 12.6	57.5	-	20 / 500
10192	PS	90 x 15 (BI Plate)	85.6 x 12.6	57.5	-	20 / 500
10292	PS	90 x 15 (BI Plate)	85.6 x 12.6	57.5	-	20 / 500
10093	PS	90 x 15	85.6 x 12.6	57.5	-	10 / 500
10095	PS	90 x 15 (Grid)	85.6 x 12.6	57.5	-	10 / 200
10096	PS	90 x 15 (Quadrant)	85.6 x 12.6	57.5	-	10 / 500
10100	PS	100 x 15	96.2 x 13.4	72.3	-	10 / 500
10101	PS	100 x 20	88.0 x 16.0	60.8	+	10 / 200
10150	PS	150 x 20	138.5 x 15.4	148.0	-	10 / 120
10151	PS	150 x 25	138.5 x 23.2	148.0	-	5 / 120

## 5. ISO 9000 Certification

SPL Life Sciences hereby certifies that the product identified above, inspected to be in compliance with product quality specification and requirements as documented in our ISO 9001:2008 Quality Management System (K-QA-Q031478) in Korea.

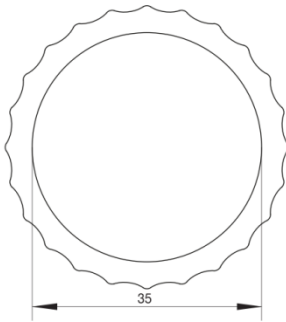
## 6. Specifications & Technical Drawing

### (1) Petri Dish Ø35 (# 10035)

#### - Specifications

Dimensions		Material (Resin)	Packaging	
Lid	Dish			
Diameter <sub>Outer</sub> :	40.30 mm	Crystal-grade polystyrene (PS)	<ul style="list-style-type: none"> <li>• Pieces/Sleeve: 20</li> <li>• Pieces/Case: 500</li> </ul>	
Diameter <sub>Inner</sub> :	39.00 mm			
Height:	6.00 mm			
	Diameter <sub>Grip</sub> :			40.30 mm
	Diameter <sub>Outer</sub> :			36.14 mm
	Diameter <sub>Inner</sub> :	35.00 mm		
	Height:	10.90 mm		
	Growth Area:	9.40 cm <sup>2</sup>		

#### - Technical Drawing

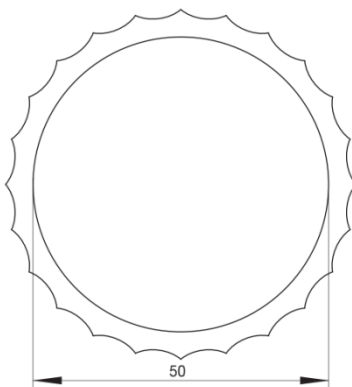


### (2) Petri Dish Ø50 Non Airvent (# 10050)

#### - Specifications

Dimensions		Material (Resin)	Packaging	
Lid	Dish			
Diameter <sub>Outer</sub> :	55.30 mm	Crystal-grade polystyrene (PS)	<ul style="list-style-type: none"> <li>• Pieces/Sleeve: 20</li> <li>• Pieces/Case: 500</li> </ul>	
Diameter <sub>Inner</sub> :	54 mm			
Height:	7.50 mm			
	Diameter <sub>Grip</sub> :			55.30 mm
	Diameter <sub>Outer</sub> :			51.14 mm
	Diameter <sub>Inner</sub> :	50.00 mm		
	Height:	11.80 mm		
	Growth Area:	19.60 cm <sup>2</sup>		

#### - Technical Drawing

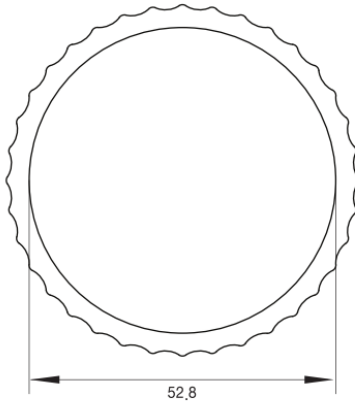


## (3) Petri Dish Ø60 (# 10060)

## - Specifications

Dimensions		Material (Resin)	Packaging
Lid	Dish		
Diameter <sub>Outer</sub> :	58.00 mm	Crystal-grade polystyrene (PS)	<ul style="list-style-type: none"> <li>• Pieces/Sleeve: 20</li> <li>• Pieces/Case: 500</li> </ul>
Diameter <sub>Inner</sub> :	56.70 mm		
Height:	8.50 mm		
		Diameter <sub>Grip</sub> :	58.00 mm
		Diameter <sub>Outer</sub> :	54.00 mm
		Diameter <sub>Inner</sub> :	52.80 mm
		Height:	12.80 mm
		Growth Area:	21.50 cm <sup>2</sup>

## - Technical Drawing

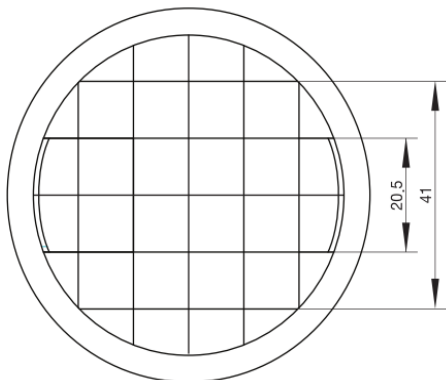


## (4) Petri Dish Ø60 RODAC Plate (# 10061)

## - Specifications

Dimensions		Material (Resin)	Packaging
Lid	Dish		
Diameter:	61.30 mm	Crystal-grade polystyrene (PS)	<ul style="list-style-type: none"> <li>• Pieces/Sleeve: 20</li> <li>• Pieces/Case: 500</li> </ul>
Height:	11.06 mm		
		Diameter:	57.69 mm
		Height:	9.55 mm
		Growth Area:	21.50 cm <sup>2</sup>

## - Technical Drawing

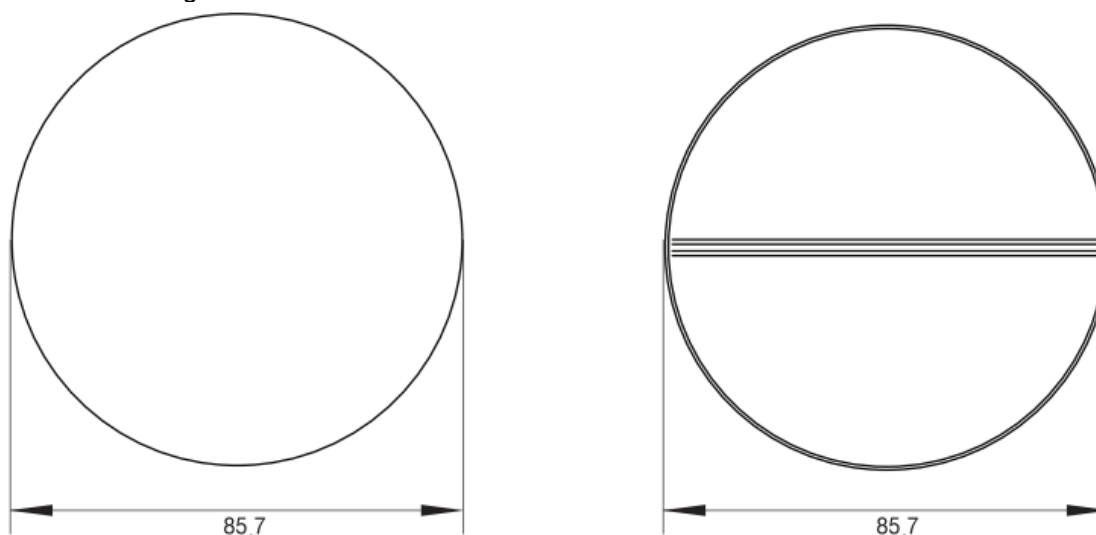


## (5) Petri Dish Ø90 (# 10090/10093)

## - Specifications

Dimensions		Material (Resin)	Packaging
Lid	Dish		
Diameter: 92.40 mm Height: 8.76 mm	Diameter: 85.70 mm Height: 13.90 mm Growth Area: 57.50 cm <sup>2</sup>	Crystal-grade polystyrene (PS)	<b>10090</b> Pieces/Sleeve : 10 Pieces/Case : 50
			<b>10093</b> Pieces/Sleeve : 10 Pieces/Case : 500

## - Technical Drawing

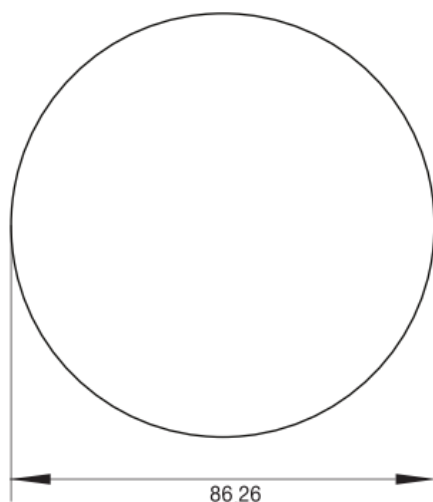


## (6) Petri Dish Ø90 (# 10091)

## - Specifications

Dimensions		Material (Resin)	Packaging
Lid	Dish		
Diameter <sub>Outer</sub> : 93.10 mm Diameter <sub>Inner</sub> : 91.20 mm Height: 9.30 mm	Diameter <sub>Outer</sub> : 87.79 mm Diameter <sub>Inner</sub> : 86.26 mm Height: 19.20 mm Growth Area: 58.00 cm <sup>2</sup>	Crystal-grade polystyrene (PS)	<ul style="list-style-type: none"> <li>▪ Pieces/Sleeve: 10</li> <li>▪ Pieces/Case: 200</li> </ul>

## - Technical Drawing

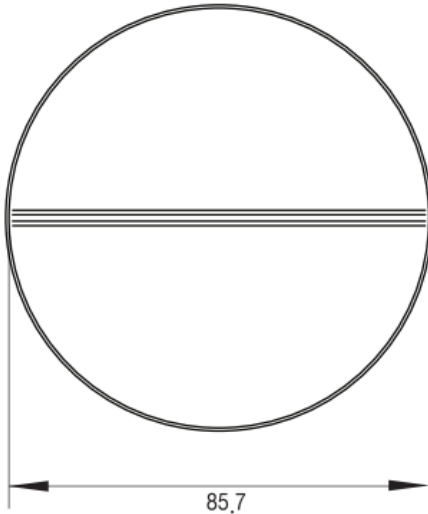


## (7) Petri Dish Ø90 Bi Plate (# 10092/10192/10292)

## - Specifications

Dimensions		Material (Resin)	Packaging
Lid	Dish		
Diameter <sub>Outer</sub> :	93.10 mm	Crystal-grade polystyrene (PS)	<ul style="list-style-type: none"> <li>• Pieces/Sleeve: 20</li> <li>• Pieces/Case: 500</li> </ul>
Diameter <sub>Inner</sub> :	91.20 mm		
Height:	9.30 mm		
		Diameter <sub>Outer</sub> :	87.79 mm
		Diameter <sub>Inner</sub> :	85.70 mm
		Height:	13.90 mm
		Growth Area:	57.50 cm <sup>2</sup>

## - Technical Drawing

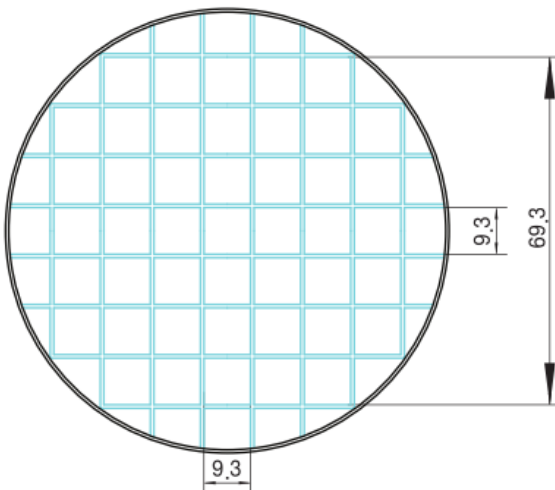


## (8) Petri Dish Ø90 Grid (# 10095)

## - Specifications

Dimensions		Material (Resin)	Packaging
Lid	Dish		
Diameter <sub>Outer</sub> :	93.10 mm	Crystal-grade polystyrene (PS)	<ul style="list-style-type: none"> <li>• Pieces/Sleeve: 10</li> <li>• Pieces/Case: 200</li> </ul>
Diameter <sub>Inner</sub> :	91.20 mm		
Height:	9.30 mm		
		Diameter <sub>Outer</sub> :	88.55 mm
		Diameter <sub>Inner</sub> :	85.70 mm
		Height:	13.90 mm
		Growth Area:	57.50 cm <sup>2</sup>

## - Technical Drawing

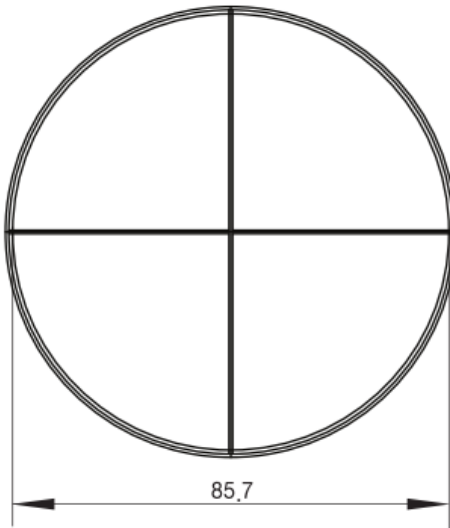


## (9) Petri Dish Ø90 Quadrant (# 10096)

## - Specifications

Dimensions		Material (Resin)	Packaging
Lid	Dish		
Diameter <sub>Outer</sub> : 93.10 mm Diameter <sub>Inner</sub> : 91.20 mm Height: 9.30 mm	Diameter <sub>Outer</sub> : 88.55 mm Diameter <sub>Inner</sub> : 85.70 mm Height: 13.90 mm Growth Area: 57.50 cm <sup>2</sup>	Crystal-grade polystyrene (PS)	<ul style="list-style-type: none"> <li>• Pieces/Sleeve: 10</li> <li>• Pieces/Case: 200</li> </ul>

## - Technical Drawing

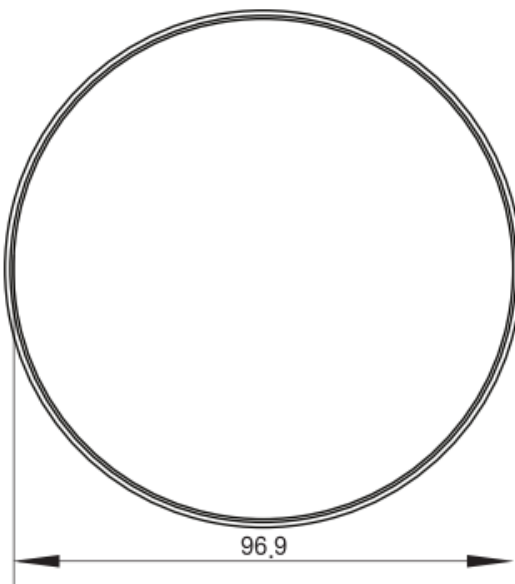


## (10) Petri Dish Ø100 (# 10100)

## - Specifications

Dimensions		Material (Resin)	Packaging
Dish			
Diameter <sub>Outer</sub> : 100.10 mm Diameter <sub>Inner</sub> : 96.90 mm Height: 15.20 mm Growth Area: 72.30 cm <sup>2</sup>		Crystal-grade polystyrene (PS)	<ul style="list-style-type: none"> <li>• Pieces/Sleeve: 10</li> <li>• Pieces/Case: 500</li> </ul>

## - Technical Drawing

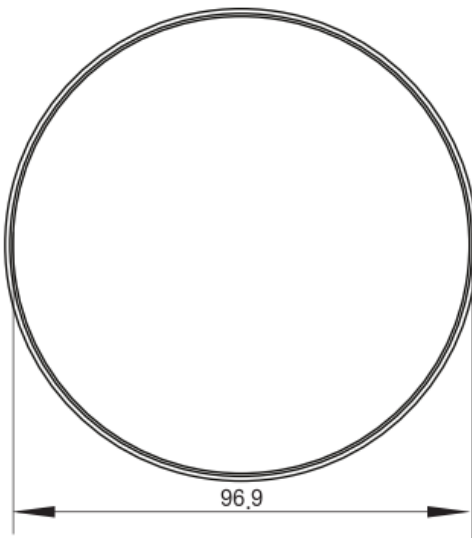


## (11) Petri Dish Ø100 Grip (# 10101)

## - Specifications

Dimensions Dish		Material (Resin)	Packaging
Diameter <sub>Outer</sub> :	100.10 mm		
Diameter <sub>Inner</sub> :	96.90 mm		
Height:	20.20 mm		
Growth Area:	60.80 cm <sup>2</sup>		

## - Technical Drawing

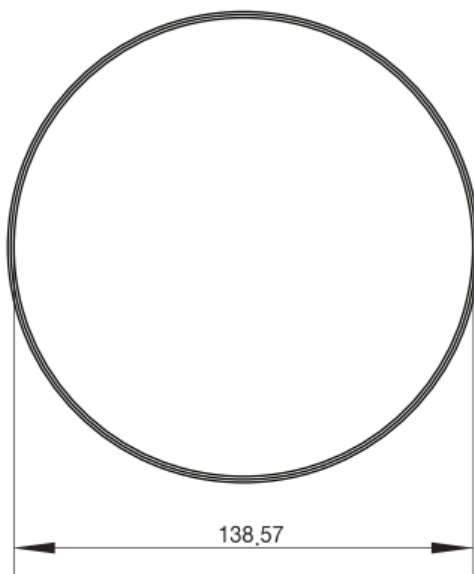


## (12) Petri Dish Ø150 (# 10150)

## - Specifications

Dimensions		Material (Resin)	Packaging
Lid	Dish		
Diameter <sub>Outer</sub> :	147.66 mm	Crystal-grade polystyrene (PS)	<ul style="list-style-type: none"> <li>• Pieces/Sleeve: 10</li> <li>• Pieces/Case: 120</li> </ul>
Diameter <sub>Inner</sub> :	145.66 mm		
Height:	10.20 mm		
	Diameter <sub>Outer</sub> :	139.98 mm	
	Diameter <sub>Inner</sub> :	138.57 mm	
	Height:	17.40 mm	
	Growth Area:	148.00 cm <sup>2</sup>	

## - Technical Drawing

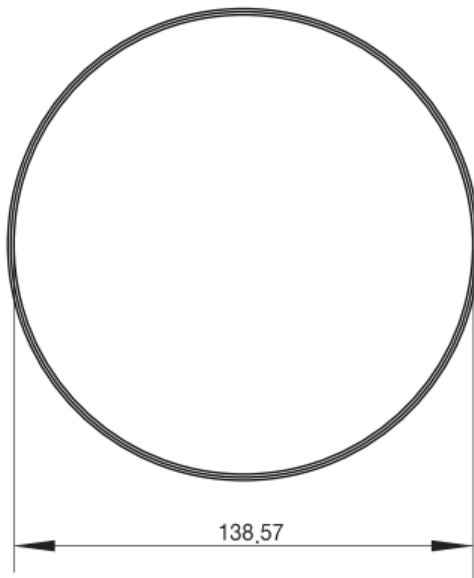


## (13) Petri Dish Ø150 High (# 10150)

## - Specifications

Dimensions		Material (Resin)	Packaging
Lid	Dish		
Diameter <sub>Outer</sub> : 148.50 mm Diameter <sub>Inner</sub> : 145.50 mm Height: 12.20 mm	Diameter <sub>Outer</sub> : 140.93 mm Diameter <sub>Inner</sub> : 138.57 mm Height: 25.40 mm Growth Area: 148.00 cm <sup>2</sup>	Crystal-grade polystyrene (PS)	<ul style="list-style-type: none"> <li>▪ Pieces/Sleeve: 5</li> <li>▪ Pieces/Case: 120</li> </ul>

## - Technical Drawing



[www.spllifesciences.com](http://www.spllifesciences.com)

For technical assistance, contact SPL R&D Center at:

Tel: +82-31-533-4800; Fax: +82-31-533-1430; e-mail: [spl@ispl.co.kr](mailto:spl@ispl.co.kr)

To place an order, contact your local distributor or

Tel: +82-31-533-4800; Fax: +82-31-533-1430; e-mail: [business@ispl.co.kr](mailto:business@ispl.co.kr)